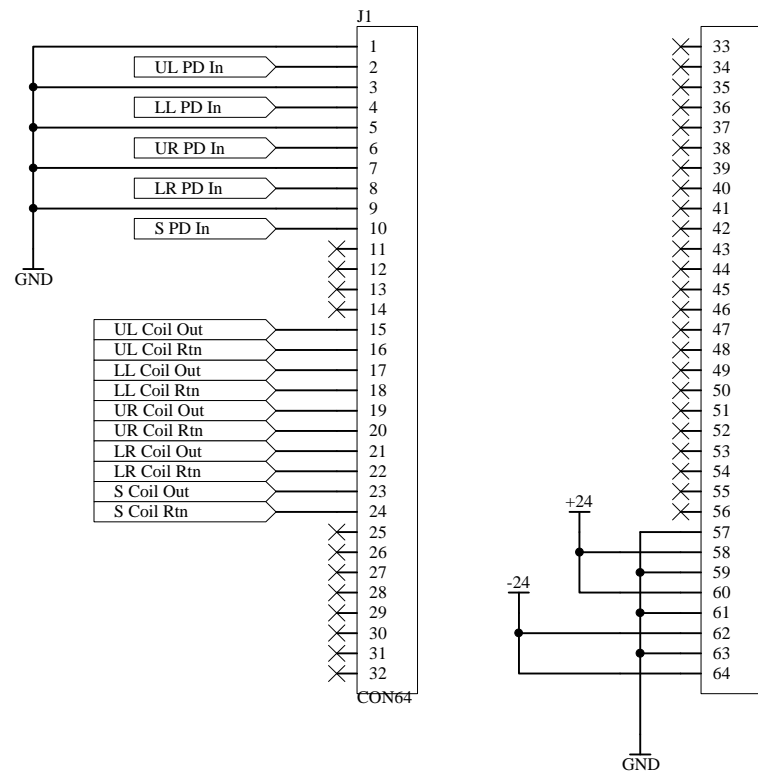
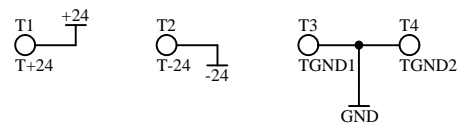


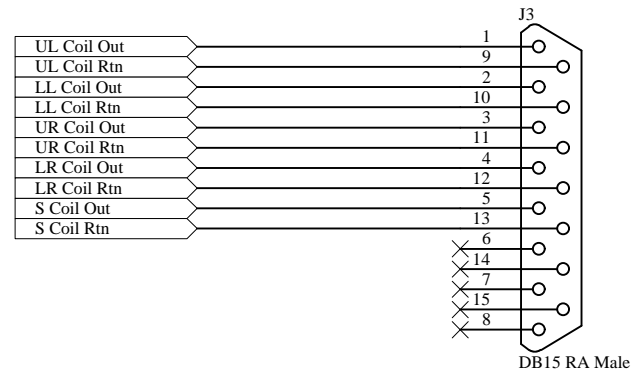
Connector to Satellite Amp



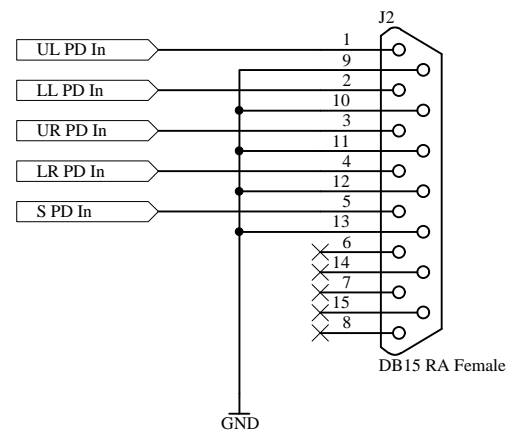
External Power Connection



Coil Signals (from Coil Driver)



PD Signals (to PD White/Interface)



Title Satellite Amplifier Adapter			LIGO Laboratory California Institute of Technology Massachusetts Institute of Technology		LIGO
Size: B	DCC Number: D010069	SCH / PCB Revision: 00	Engineer: J. Heefner	Date: 27-Mar-2001 Time: 15:58:23	
File: K:\hcad\ligo\users\jay\SatelliteAdapter\SatelliteAdapter.Sch					Sheet 1 of 1