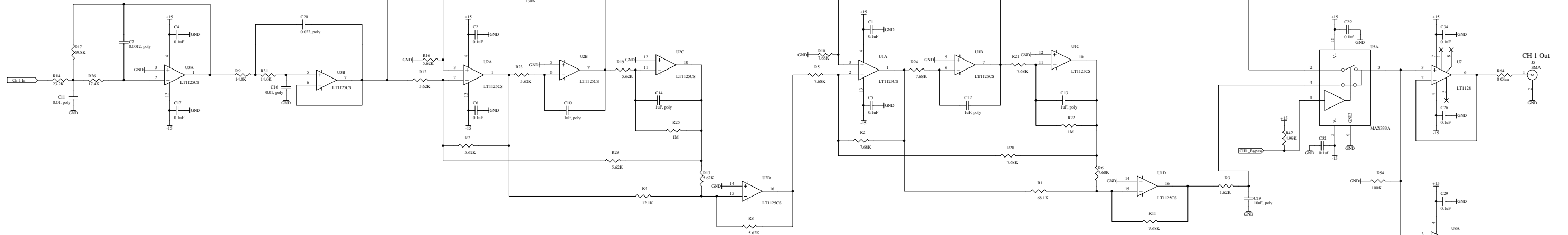


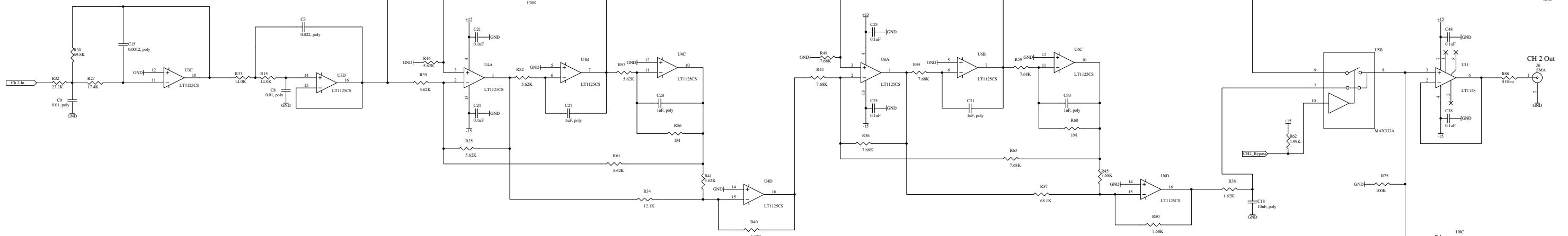
2ea. 800Hz Butterworth LPF
(First stage gain 10dB at DC)

5th order, 1 dB ripple, 50 dB atten, 28Hz elliptic LPF



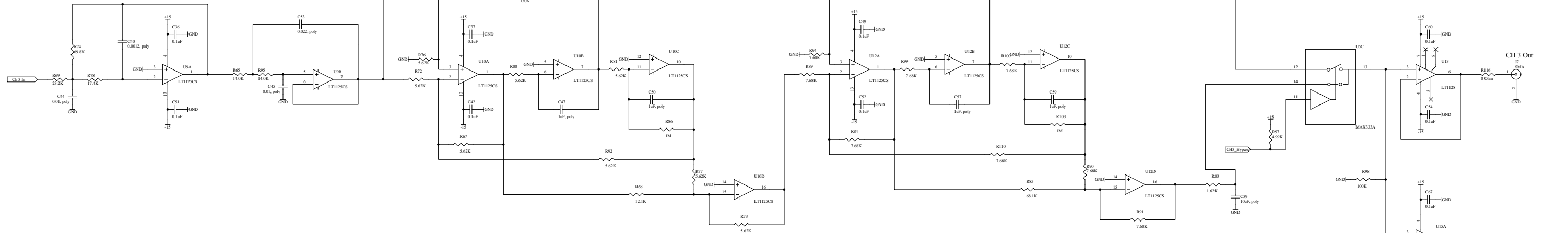
2ea. 800Hz Butterworth LPF
(First stage gain 10dB at DC)

5th order, 1 dB ripple, 50 dB atten, 28Hz elliptic LPF



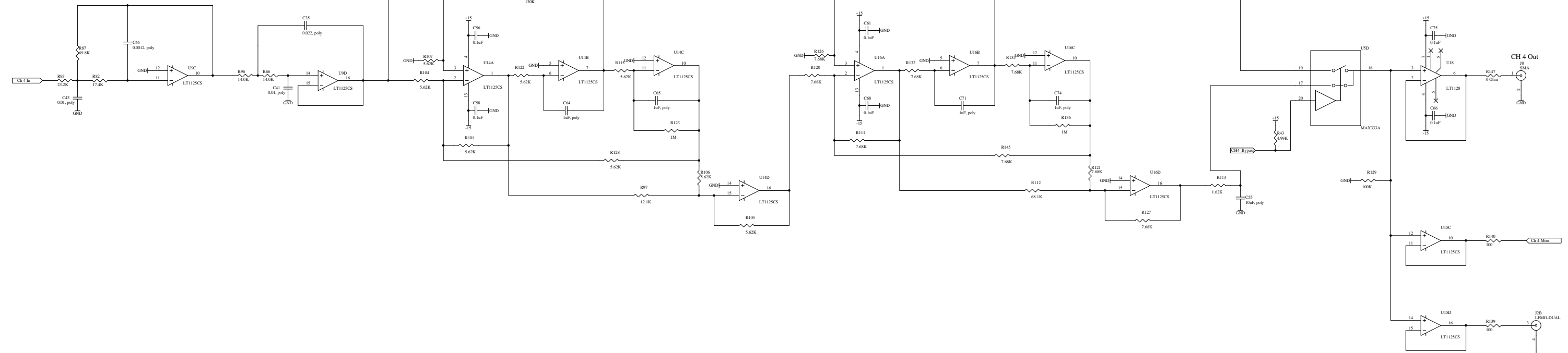
**2ea. 800Hz Butterworth LPF
(First stage gain 10dB at DC)**

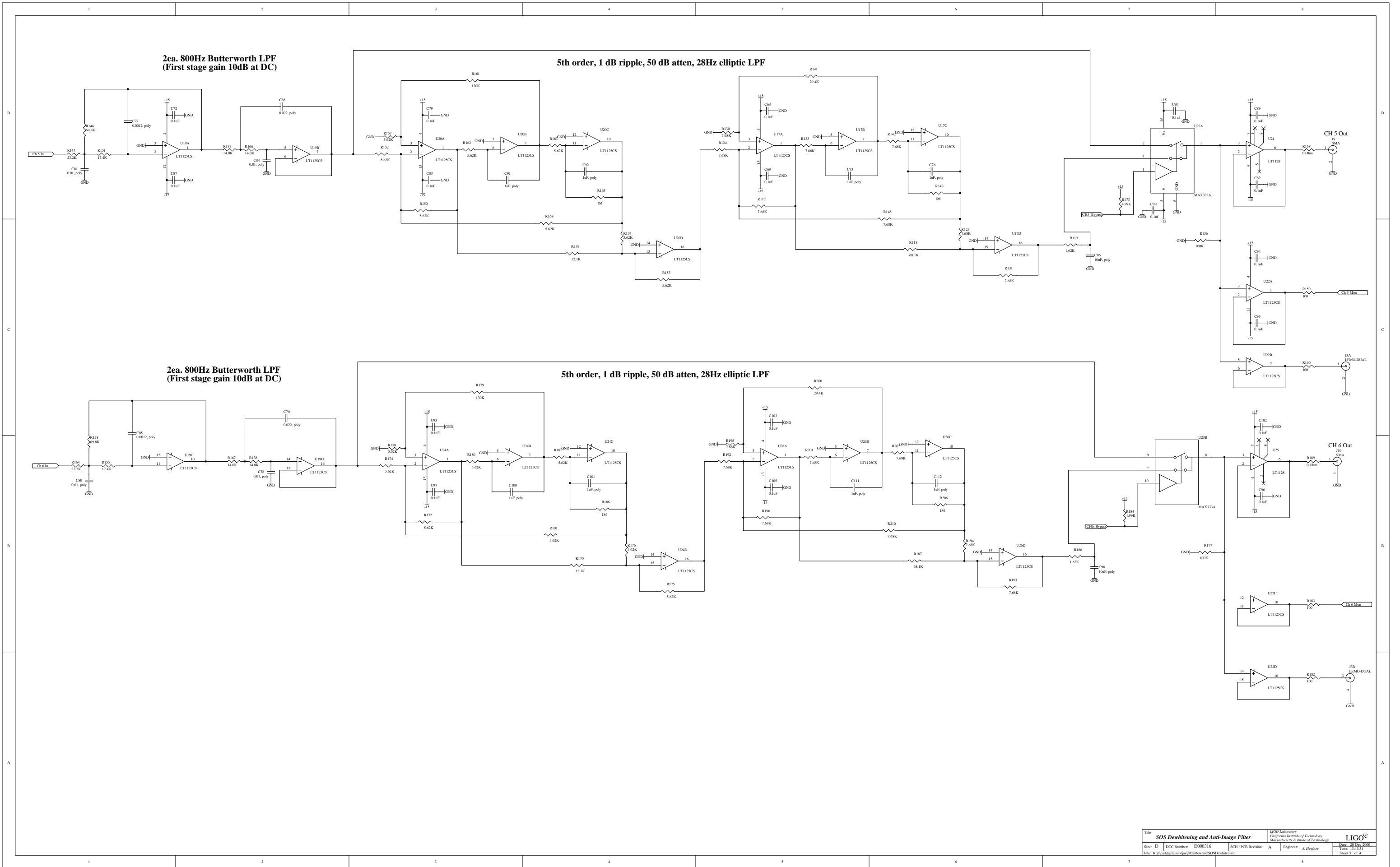
5th order, 1 dB ripple, 50 dB atten, 28Hz elliptic LPF



**2ea. 800Hz Butterworth LPF
(First stage gain 10dB at DC)**

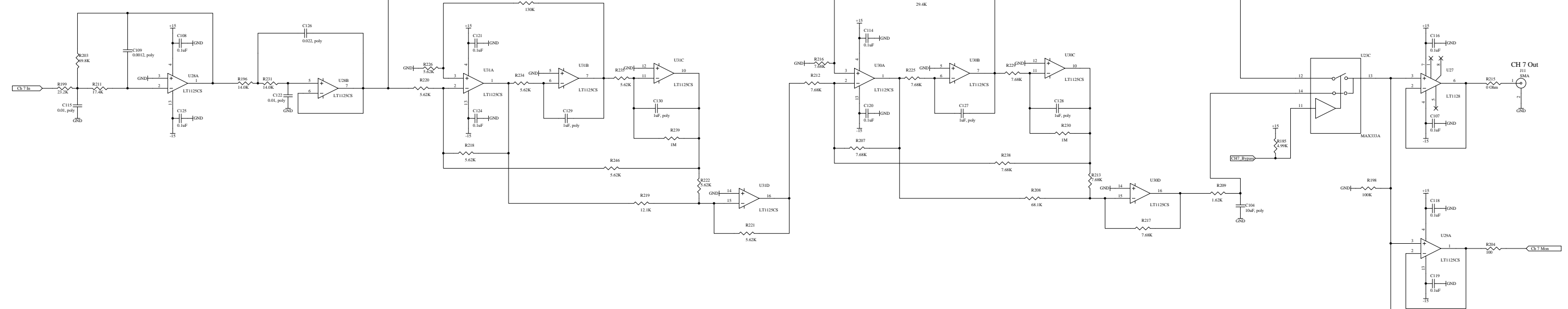
5th order, 1 dB ripple, 50 dB atten, 28Hz elliptic LPF





**2ea. 800Hz Butterworth LPF
(First stage gain 10dB at DC)**

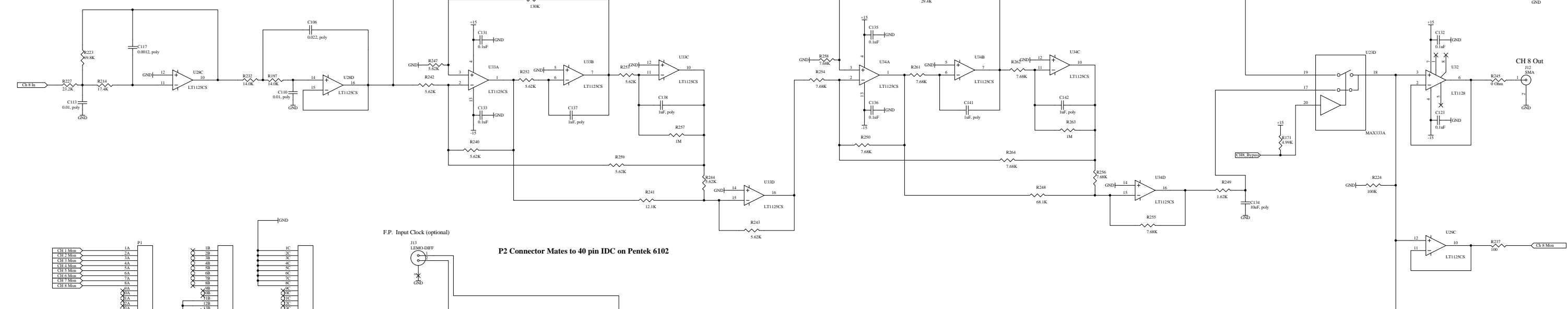
5th order, 1 dB ripple, 50 dB atten, 28Hz elliptic LPF



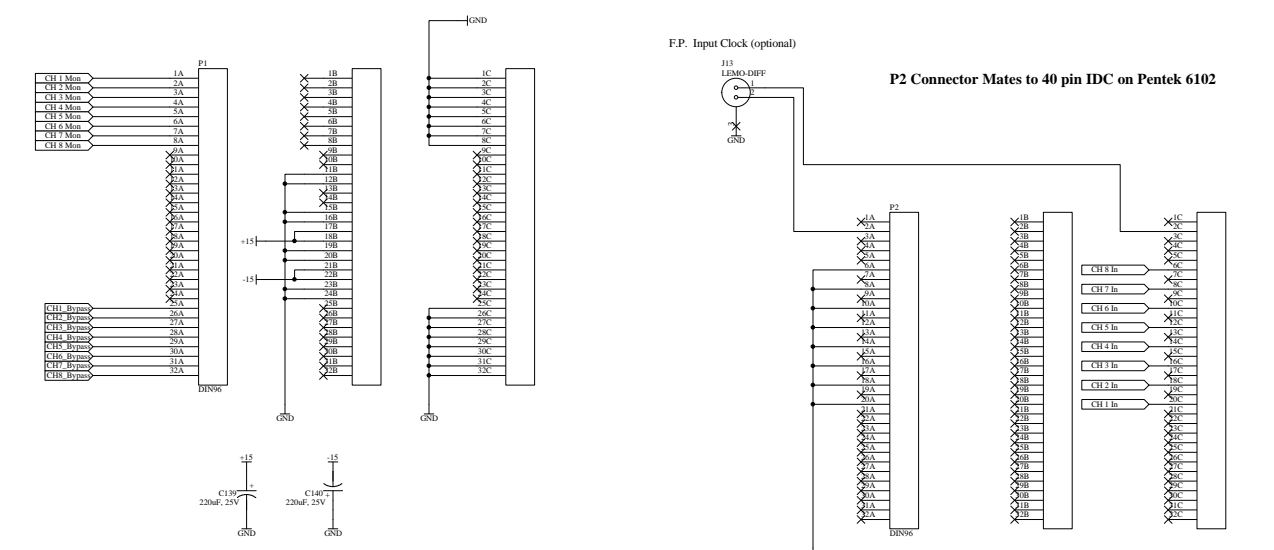
CH 7 Out
J11 SMA

**2ea. 800Hz Butterworth LPF
(First stage gain 10dB at DC)**

5th order, 1 dB ripple, 50 dB atten, 28Hz elliptic LPF



CH 8 Out
J12 SMA



F.P. Input Clock (optional)
J13 LEMO-DHFP
P2 Connector Mates to 40 pin IDC on Pentek 6102

1

2

3

4

5

6

D

D

C

C

B

B

A

A

SOSDewhite1
SOSDewhite1.Sch

- CH1_Bypass
- Ch 1 In
- Ch 1 Mon
- CH2_Bypass
- Ch 2 In
- Ch 2 Mon

SOSDewhite2
SOSDewhite2.Sch

- CH3_Bypass
- Ch 3 In
- Ch 3 Mon
- CH4_Bypass
- Ch 4 In
- Ch 4 Mon

SOSDewhite3
SOSDewhite3.sch

- CH5_Bypass
- Ch 5 In
- Ch 5 Mon
- CH6_Bypass
- Ch 6 In
- Ch 6 Mon

SOSDewhite4
SOSDewhite4.sch

- CH7_Bypass
- Ch 7 In
- Ch 7 Mon
- CH8_Bypass
- Ch 8 In
- Ch 8 Mon

Title		SOS Dewhitening and Anti-Image Filter		LIGO Laboratory California Institute of Technology Massachusetts Institute of Technology		LIGO	
Size: B	DCC Number: D000316	SCH / PCB Revision: A	Engineer:	Date: 20-Dec-2000			
File: K:\hcad\ligo\users\jay\SOSDewhite\SOSDewhite.prj				Time: 13:43:06	Sheet 0 of 4		

1

2

3

4

5

6