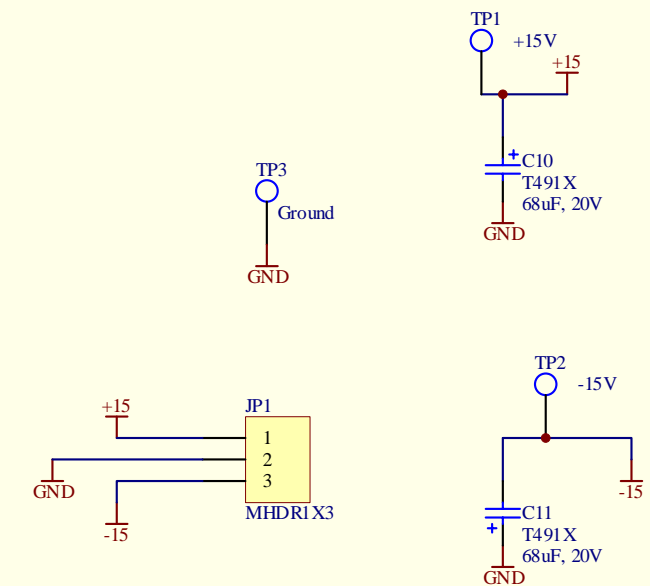
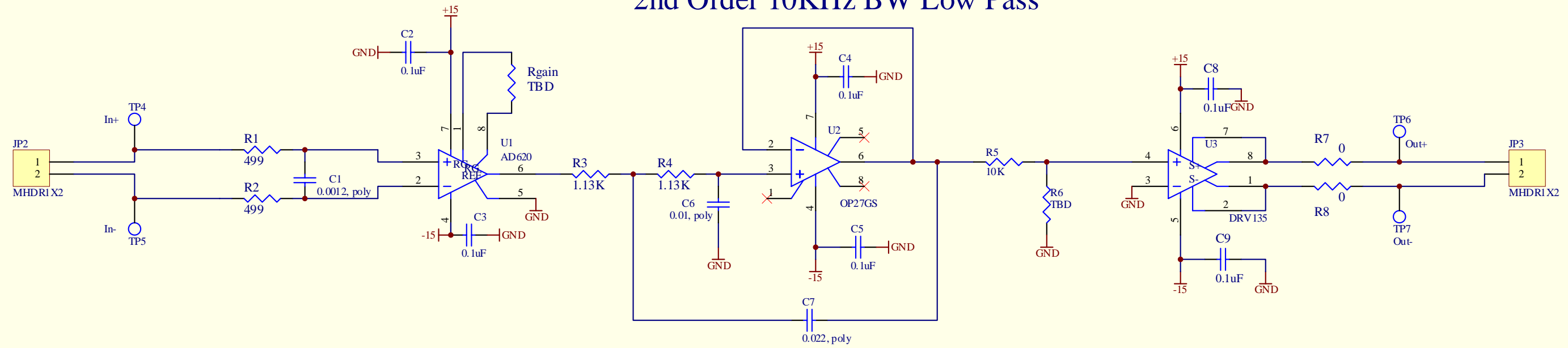


2nd Order 10KHz BW Low Pass



Title 10KHz Butterworth Filter		LIGO Laboratory California Institute of Technology Massachusetts Institute of Technology		LIGO
Size: B	DCC Number: D040060	SCH / PCB Revision: 00	Engineer: J. Hejner	Date: 2/10/2004
File: E:\h\cad\ligo\users\jay\10KHzButterLPF\10KHzButterLPF.SchDoc				Time: 4:09:52 PM
				Sheet 1 of 1